

### 产品特点

介质：金属化聚丙烯薄膜  
 外壳：塑料外壳封装  
 内部灌封：树脂填充 (UL94 V-0)

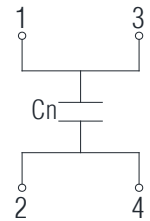
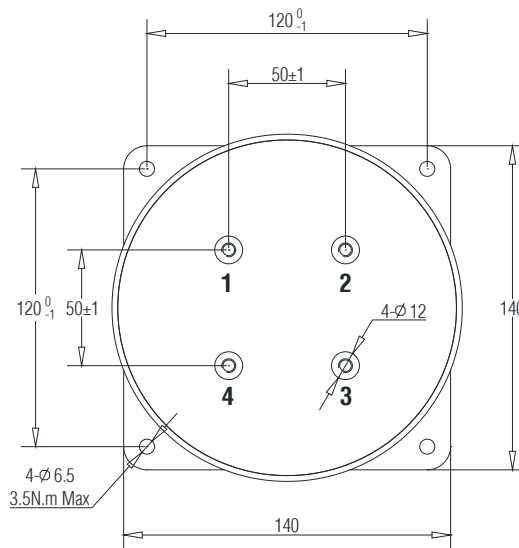
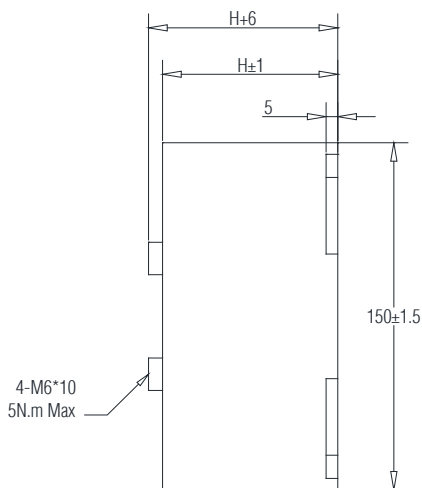
### 电气特性

工作温度：-40 至 +105 °C  
 容量范围：30 至 2500 $\mu$ F  
 额定电压：600 至 4000 VDC  
 容量偏差： $\pm 5\%$   
 损耗因素： $\leq 3 \times 10^{-3}$  @ 100 Hz, 20 $\pm 5$  °C  
 预期寿命：100,000 小时 @  $U_n$ , 70 °C (热点温度)  
 极间耐压：1.5 $U_n$  (DC) @ 10s, 20 $\pm 5$  °C  
 极壳耐压：(1.5 $U_n$ +1000)VAC, 最小 3000VAC (10s, 50Hz)  
 (IR $\times$ Cn) 30000s (不超过 30G $\Omega$ ),  
 绝缘电阻：100VDC (20 $\pm 5$  °C), 1 分钟



### 应用

DC 滤波 测试设备 感应加热



电路连接图

### 电压等级

|             |      |      |      |       |       |       |       |       |
|-------------|------|------|------|-------|-------|-------|-------|-------|
| Un at 85°C  | 600V | 700V | 900V | 1100V | 1200V | 2000V | 3000V | 4000V |
| Un at 105°C | 435V | 510V | 655V | 800V  | 875V  | 1460V | 2190V | 2920V |

## 特性参数

| 订货代码                                   | 容量<br>( $\mu\text{F}$ ) | H<br>(mm) | I <sub>peak</sub><br>(KA) | I <sub>Max</sub> @45°C<br>@10KHz (A) | ESR@10KHz<br>(m $\Omega$ ) | Ls<br>(nH) | Rth<br>(k/W) | Wn<br>(J) | 重量<br>(Kg) |
|--|-------------------------|-----------|---------------------------|--------------------------------------|----------------------------|------------|--------------|-----------|------------|
| <b>Un 600VDC , Us 900V , Ur 150V</b>   |                         |           |                           |                                      |                            |            |              |           |            |
| SHF-600-1200-FC                        | 1200                    | 75        | 6.17                      | 114                                  | 0.8                        | $\leq 9$   | 2.2          | 216       | 1.83       |
| SHF-600-1400-FC                        | 1400                    | 85        | 5.89                      | 114                                  | 0.8                        | $\leq 10$  | 2.2          | 252       | 1.96       |
| SHF-600-1800-FC                        | 1800                    | 100       | 5.95                      | 115                                  | 0.8                        | $\leq 11$  | 2.1          | 324       | 2.21       |
| SHF-600-2500-FC                        | 2500                    | 125       | 6.09                      | 117                                  | 0.9                        | $\leq 12$  | 1.9          | 450       | 2.62       |
| <b>Un 700VDC , Us 1050V , Ur 175V</b>  |                         |           |                           |                                      |                            |            |              |           |            |
| SHF-700-900-FC                         | 900                     | 75        | 5.40                      | 113                                  | 0.8                        | $\leq 9$   | 2.2          | 221       | 1.83       |
| SHF-700-1100-FC                        | 1100                    | 85        | 5.40                      | 113                                  | 0.8                        | $\leq 10$  | 2.2          | 270       | 2.00       |
| SHF-700-1400-FC                        | 1400                    | 100       | 5.40                      | 114                                  | 0.9                        | $\leq 11$  | 2.1          | 343       | 2.25       |
| SHF-700-1900-FC                        | 1900                    | 125       | 5.40                      | 116                                  | 0.9                        | $\leq 12$  | 1.9          | 466       | 2.67       |
| <b>Un 900VDC , Us 1350V , Ur 200V</b>  |                         |           |                           |                                      |                            |            |              |           |            |
| SHF-900-450-FC                         | 450                     | 60        | 4.87                      | 111                                  | 0.8                        | $\leq 8$   | 2.4          | 182       | 1.70       |
| SHF-900-680-FC                         | 680                     | 75        | 4.91                      | 112                                  | 0.9                        | $\leq 9$   | 2.2          | 275       | 1.83       |
| SHF-900-850-FC                         | 850                     | 85        | 5.02                      | 113                                  | 0.9                        | $\leq 10$  | 2.2          | 344       | 1.99       |
| SHF-900-1050-FC                        | 1050                    | 100       | 4.87                      | 113                                  | 0.9                        | $\leq 11$  | 2.1          | 425       | 2.26       |
| SHF-900-1400-FC                        | 1400                    | 125       | 4.78                      | 114                                  | 0.9                        | $\leq 12$  | 1.9          | 567       | 2.64       |
| <b>Un 1100VDC , Us 1650V , Ur 250V</b> |                         |           |                           |                                      |                            |            |              |           |            |
| SHF-1100-290-FC                        | 290                     | 60        | 3.88                      | 109                                  | 0.9                        | $\leq 8$   | 2.4          | 175       | 1.70       |
| SHF-1100-420-FC                        | 420                     | 75        | 3.75                      | 110                                  | 0.9                        | $\leq 9$   | 2.2          | 254       | 1.80       |
| SHF-1100-530-FC                        | 530                     | 85        | 3.87                      | 110                                  | 0.9                        | $\leq 10$  | 2.2          | 321       | 2.01       |
| SHF-1100-680-FC                        | 680                     | 100       | 3.90                      | 111                                  | 0.9                        | $\leq 11$  | 2.1          | 411       | 2.27       |
| SHF-1100-900-FC                        | 900                     | 125       | 3.80                      | 111                                  | 1.0                        | $\leq 12$  | 1.9          | 545       | 2.65       |
| <b>Un 1200VDC , Us 1800V , Ur 275V</b> |                         |           |                           |                                      |                            |            |              |           |            |
| SHF-1200-200-FC                        | 200                     | 60        | 3.19                      | 108                                  | 1.0                        | $\leq 8$   | 2.4          | 144       | 1.71       |
| SHF-1200-360-FC                        | 360                     | 75        | 3.52                      | 109                                  | 0.9                        | $\leq 9$   | 2.2          | 259       | 1.84       |
| SHF-1200-450-FC                        | 450                     | 85        | 3.60                      | 109                                  | 0.9                        | $\leq 10$  | 2.2          | 324       | 2.00       |
| SHF-1200-550-FC                        | 550                     | 100       | 3.46                      | 109                                  | 1.0                        | $\leq 11$  | 2.1          | 396       | 2.22       |
| SHF-1200-750-FC                        | 750                     | 125       | 3.47                      | 109                                  | 1.0                        | $\leq 12$  | 1.9          | 540       | 2.71       |
| <b>Un 2000VDC , Us 3000V , Ur 450V</b> |                         |           |                           |                                      |                            |            |              |           |            |
| SHF-2000-160-FC                        | 160                     | 85        | 2.06                      | 102                                  | 1.2                        | $\leq 10$  | 2.2          | 320       | 1.98       |
| SHF-2000-210-FC                        | 210                     | 100       | 2.13                      | 101                                  | 1.2                        | $\leq 11$  | 2.1          | 420       | 2.28       |
| SHF-2000-280-FC                        | 280                     | 125       | 2.09                      | 100                                  | 1.3                        | $\leq 12$  | 1.9          | 560       | 2.72       |
| <b>Un 3000VDC , Us 4500V , Ur 700V</b> |                         |           |                           |                                      |                            |            |              |           |            |
| SHF-3000-48-FC                         | 48                      | 75        | 2.67                      | 103                                  | 1.6                        | $\leq 9$   | 2.2          | 216       | 1.79       |
| SHF-3000-60-FC                         | 60                      | 85        | 2.67                      | 103                                  | 1.5                        | $\leq 10$  | 2.2          | 270       | 1.96       |
| SHF-3000-80-FC                         | 80                      | 100       | 2.74                      | 104                                  | 1.4                        | $\leq 11$  | 2.1          | 360       | 2.27       |
| SHF-3000-110-FC                        | 110                     | 125       | 2.72                      | 104                                  | 1.4                        | $\leq 12$  | 1.9          | 495       | 2.70       |
| <b>Un 4000VDC , Us 4000V , Ur 900V</b> |                         |           |                           |                                      |                            |            |              |           |            |
| SHF-4000-30-FC                         | 30                      | 75        | 2.13                      | 98                                   | 2.0                        | $\leq 9$   | 2.2          | 240       | 1.84       |
| SHF-4000-65-FC                         | 65                      | 125       | 2.05                      | 98                                   | 1.7                        | $\leq 12$  | 1.9          | 520       | 2.67       |