

产品特点

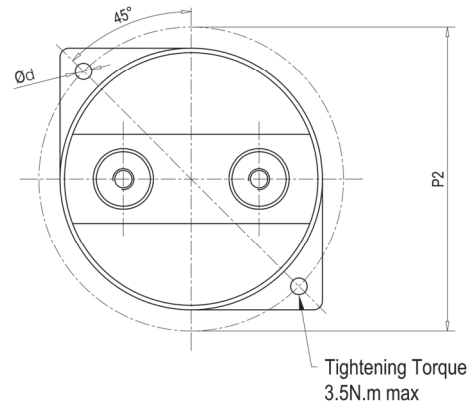
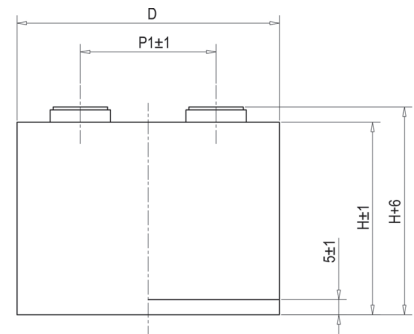
引用标准 : IEC 61071
 结构: 金属化聚丙烯膜结构
 封装: 塑料外壳 (UL94 V-0), 树脂填充

电气特性

工作温度 : - 40 至 + 105 °C
 容量范围 : 6.8 至 500µF
 额定电压 : 500 至 2200 VDC
 容量偏差 : ± 5%
 损耗因素 : $\leq 2 \times 10^{-3}$ @ 100 Hz , 20±5 °C
 预期寿命 : 100,000 hours @ Un , 70 °C (热点温度)
 极间耐压 : 1.5Un (DC) , (10s , 20±5 °C)
 极壳耐压 : Un ≤ 1300V , 3KVAC (10s , 50Hz)
 Un > 1300V , 1.5Un + 1000VAC (10s , 50Hz)
 绝缘电阻 : (IR×Cn) 30000s (不超过 30GΩ) ,
 100VDC (20±5 °C) , 1 分钟

应用

DC 滤波 电动汽车
开关电源 马达驱动



电压等级

Un @ 70°C	500V	600V	700V	800V	900V	1000V	1100V
Un @ 85°C	450V	500V	600V	700V	760V	850V	900V
Un @ 105°C	330V	365V	440V	500V	550V	620V	650V
Un @ 70°C	1200V	1500V	1800V	2000V	2200V		
Un @ 85°C	1000V	1250V	1500V	1650V	1800V		
Un @ 105°C	730V	915V	1100V	1200V	1300V		

外壳	D (mm)	端口			P1 (mm)	P2 (mm)	d (mm)	
		M	扭矩	F				扭矩
A	87	M8*20	8.5 N.M Max	M6*8	4.5 N.M Max	45	101	5.5
B	115	M10*20	12 N.M Max	M8*8	8.5 N.M Max	60	133	6.5

特性参数

订货代码	容量 (µF)	D (mm)	H (mm)	Ls max. (nH)	Du/dt (v/µs)	Irms@45°C @10KHz (A)	ESR@1.0KHz (mΩ)	Rth (k/w)
Un @70°C 500VDC , Us 750V , Ur 150V								
SHF-500-125-FA	125	87	41	25	37	90	1.1	6.8
SHF-500-200-FA	200	87	51	32	25	90	1.5	5.9
SHF-500-275-FA	275	87	65	40	16	85	1.5	5.0
SHF-500-350-FB	350	115	51	32	25	120	1.3	4.1
SHF-500-500-FB	500	115	65	40	16	125	1.3	3.5

特性参数

订货代码	容量 (μF)	D (mm)	H (mm)	Ls max. (nH)	Du/dt (v/ μs)	I _{rms} @45°C @10KHz (A)	ESR@1.0KHz (m Ω)	R _{th} (k/w)
Un @70°C 700VDC , Us 1050V , Ur 200V								
SHF-700-100-FA	100	87	41	25	48	90	1.1	6.8
SHF-700-150-FA	150	87	51	32	32	90	1.4	5.9
SHF-700-220-FA	220	87	65	40	21	85	1.5	5.0
SHF-700-250-FB	250	115	51	32	32	115	1.3	4.1
SHF-700-350-FB	350	115	65	40	21	120	1.4	3.5
Un @70°C 900VDC , Us 1350V , Ur 250V								
SHF-900-68-FA	68	87	41	25	56	80	1.2	6.8
SHF-900-100-FA	100	87	51	32	37	80	1.5	5.9
SHF-900-140-FA	140	87	65	40	25	75	1.6	5.0
SHF-900-200-FB	200	115	51	32	37	110	1.3	4.1
SHF-900-300-FB	300	115	65	40	25	115	1.4	3.5
Un @70°C 1100VDC , Us 1650V , Ur 300V								
SHF-1100-47-FA	47	87	41	25	73	75	1.2	6.8
SHF-1100-68-FA	68	87	51	32	49	75	1.5	5.9
SHF-1100-100-FA	100	87	65	40	33	70	1.7	5.0
SHF-1100-125-FB	125	115	51	32	49	105	1.4	4.1
SHF-1100-180-FB	180	115	65	40	33	110	1.5	3.5
Un @70°C 1200VDC , Us 1920V , Ur 300V								
SHF-1200-25-FA	25	87	41	25	90	60	1.3	6.8
SHF-1200-35-FA	35	87	51	32	70	60	1.7	5.9
SHF-1200-50-FA	50	87	65	40	50	55	1.9	5.0
SHF-1200-60-FB	60	115	51	32	70	100	1.4	4.1
SHF-1200-80-FB	80	115	65	40	50	110	1.6	3.5
Un @70°C 1500VDC , Us 2400V , Ur 400V								
SHF-1500-18-FA	18	87	41	25	113	55	1.4	6.8
SHF-1500-25-FA	25	87	51	32	85	55	1.8	5.9
SHF-1500-35-FA	35	87	65	40	60	50	2.1	5.0
SHF-1500-47-FB	47	115	51	32	85	100	1.5	4.1
SHF-1500-68-FB	68	115	65	40	60	105	1.6	3.5
Un @70°C 1800VDC , Us 2880V , Ur 450V								
SHF-1800-10-FA	10	87	41	25	175	50	1.5	6.8
SHF-1800-15-FA	15	87	51	32	120	50	1.9	5.9
SHF-1800-22-FA	22	87	65	40	80	45	2.2	5.0
SHF-1800-25-FB	25	115	51	32	120	90	1.6	4.1
SHF-1800-35-FB	35	115	65	40	80	100	1.8	3.5
Un @70°C 2200VDC , Us 3520V , Ur550V								
SHF-2200-6.8-FA	6.8	87	41	25	200	50	1.6	6.8
SHF-2200-10-FA	10	87	51	32	150	50	2.1	5.9
SHF-2200-15-FA	15	87	65	40	100	45	2.5	5.0
SHF-2200-18-FB	18	115	51	32	150	90	1.7	4.1
SHF-2200-25-FB	25	115	65	40	100	100	2.0	3.5