

产品结构

介质： 金属化聚丙烯薄膜
 外壳： 铝外壳封装
 内部灌封： 树脂填充 (UL94 V-0)

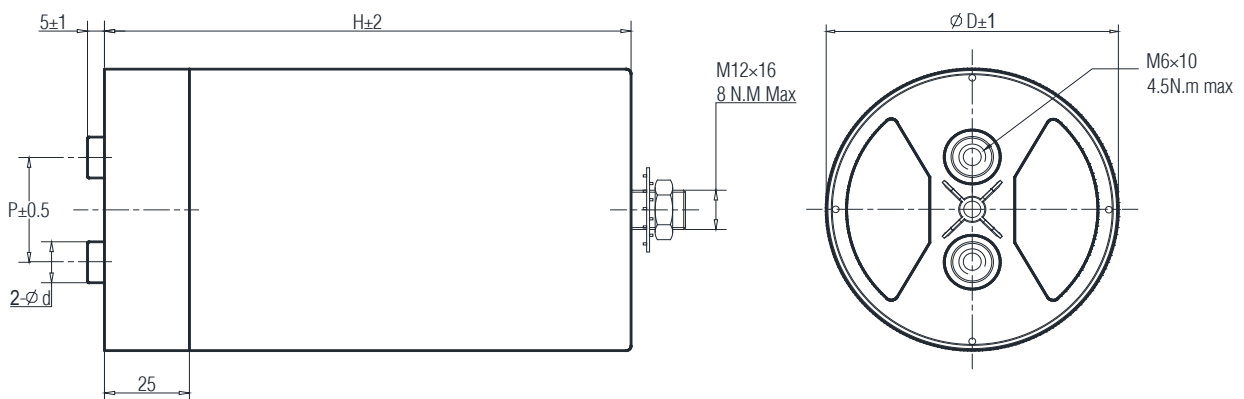
电气特性

工作温度： - 40 至 + 85 °C (Ths≤85°C)
 容量范围： 180 至 4800μF
 额定电压： 700 至 1200VDC
 容量偏差： ± 5% , ± 10%
 损耗因素： ≤3×10⁻³ @ 100 Hz, 20±5°C
 预期寿命： 100,000 小时 @ Un, 70 °C (热点温度)
 极间耐压： 1.5Un (DC) @ 10s, 20±5°C
 极壳耐压： (1.5Un+2000)VAC, 最小 3000VAC (10s,50Hz)
 绝缘电阻： (IR×Cn) 30000s (不超过 30GΩ),
 100VDC (20±5°C), 1 分钟



应用

新能源逆变器 变频器 电机驱动 开关电源



安装孔距与安装螺口外径尺寸

| | | | |
|-------------|-----------|----------|----------|
| D= 76, 86mm | D= 96mm | D= 116mm | D= 136mm |
| d= 12.5mm | d= 12.5mm | d= 14mm | d= 14mm |
| P= 32mm | P= 45mm | P= 50mm | P= 50mm |

特性参数

| 订货代码 | 容量 (μF) | D (mm) | H (mm) | Ipeak (A) | I _{Max} @45°C @10KHz (A) | ESR@1.0KHz (m Ω) | Ls (nH) | Rth (k/W) | Wn (Ws) | 重量 (Kg) |
|---------------------------------------|-------------------------|-----------|-----------|--------------|--------------------------------------|-----------------------------|------------|--------------|------------|------------|
| Un 700VDC , Us 1050V , Ur 150V | | | | | | | | | | |
| SHP-700-500-FSB1 | 500 | 76 | 95 | 1652 | 43 | 1.8 | ≤50 | 4.6 | 123 | 0.58 |
| SHP-700-680-FSB1 | 680 | 86 | 95 | 2247 | 48 | 1.6 | ≤50 | 3.9 | 167 | 0.73 |
| SHP-700-700-FSB1 | 700 | 76 | 120 | 1705 | 44 | 1.9 | ≤60 | 4.1 | 172 | 0.70 |
| SHP-700-800-FSB1 | 800 | 76 | 145 | 3365 | 60 | 1.1 | ≤45 | 3.7 | 196 | 0.88 |
| SHP-700-845-FSB1 | 845 | 96 | 100 | 2793 | 54 | 1.6 | ≤50 | 3.3 | 207 | 0.95 |
| SHP-700-900-FSB1 | 900 | 86 | 120 | 2192 | 49 | 1.8 | ≤60 | 3.5 | 221 | 0.89 |
| SHP-700-1000-FSB1 | 1000 | 76 | 175 | 3305 | 62 | 1.2 | ≤50 | 3.3 | 245 | 1.04 |
| SHP-700-1050-FSB1 | 1050 | 86 | 145 | 4416 | 66 | 1.1 | ≤45 | 3.2 | 257 | 1.11 |
| SHP-700-1100-FSB1 | 1100 | 96 | 125 | 2679 | 55 | 1.7 | ≤60 | 3.0 | 270 | 1.15 |
| SHP-700-1200-FSB1 | 1200 | 116 | 100 | 3966 | 60 | 1.5 | ≤50 | 2.6 | 294 | 1.38 |
| SHP-700-1300-FSB3 | 1300 | 96 | 150 | 5468 | 72 | 1.1 | ≤45 | 2.7 | 319 | 1.43 |
| SHP-700-1300-FSB1 | 1300 | 86 | 175 | 4296 | 68 | 1.1 | ≤50 | 2.9 | 319 | 1.31 |
| SHP-700-1300-FSB2 | 1300 | 76 | 225 | 3166 | 64 | 1.3 | ≤60 | 2.9 | 319 | 1.28 |
| SHP-700-1600-FSB1 | 1600 | 96 | 180 | 5288 | 74 | 1.1 | ≤50 | 2.5 | 392 | 1.68 |
| SHP-700-1600-FSB2 | 1600 | 116 | 125 | 3896 | 60 | 1.6 | ≤60 | 2.3 | 392 | 1.67 |
| SHP-700-1700-FSB2 | 1700 | 136 | 100 | 5618 | 60 | 1.4 | ≤50 | 2.1 | 417 | 1.89 |
| SHP-700-1700-FSB1 | 1700 | 86 | 225 | 4140 | 71 | 1.2 | ≤60 | 2.5 | 417 | 1.62 |
| SHP-700-1900-FSB1 | 1900 | 116 | 150 | 7992 | 82 | 1.0 | ≤45 | 2.1 | 466 | 2.06 |
| SHP-700-2200-FSB1 | 2200 | 96 | 230 | 5357 | 78 | 1.1 | ≤60 | 2.2 | 539 | 2.07 |
| SHP-700-2400-FSB1 | 2400 | 136 | 125 | 5844 | 60 | 1.5 | ≤60 | 1.9 | 588 | 2.25 |
| SHP-700-2400-FSB2 | 2400 | 116 | 180 | 7932 | 85 | 1.0 | ≤50 | 2.0 | 588 | 2.41 |
| SHP-700-2800-FSB1 | 2800 | 136 | 150 | 11777 | 93 | 1.0 | ≤45 | 1.7 | 686 | 2.82 |
| SHP-700-3300-FSB1 | 3300 | 116 | 230 | 8036 | 90 | 1.1 | ≤60 | 1.7 | 809 | 2.96 |
| SHP-700-3500-FSB1 | 3500 | 136 | 180 | 11567 | 96 | 1.0 | ≤50 | 1.6 | 858 | 3.30 |
| SHP-700-4800-FSB1 | 4800 | 136 | 230 | 11689 | 100 | 1.0 | ≤60 | 1.4 | 1176 | 4.05 |
| Un 800VDC , Us 1200V , Ur 175V | | | | | | | | | | |
| SHP-800-370-FSB1 | 370 | 76 | 95 | 1427 | 42 | 1.8 | ≤50 | 4.6 | 118 | 0.58 |
| SHP-800-490-FSB1 | 490 | 86 | 95 | 1889 | 48 | 1.7 | ≤50 | 3.9 | 157 | 0.73 |
| SHP-800-500-FSB1 | 500 | 76 | 120 | 1420 | 43 | 2.0 | ≤60 | 4.1 | 160 | 0.71 |
| SHP-800-580-FSB1 | 580 | 76 | 145 | 2846 | 59 | 1.2 | ≤45 | 3.7 | 186 | 0.89 |
| SHP-800-600-FSB1 | 600 | 96 | 100 | 2313 | 53 | 1.6 | ≤50 | 3.3 | 192 | 0.95 |
| SHP-800-680-FSB1 | 680 | 86 | 120 | 1932 | 49 | 1.8 | ≤60 | 3.5 | 218 | 0.88 |
| SHP-800-700-FSB1 | 700 | 76 | 175 | 2699 | 60 | 1.2 | ≤50 | 3.3 | 224 | 1.03 |
| SHP-800-750-FSB1 | 750 | 86 | 145 | 3680 | 65 | 1.1 | ≤45 | 3.2 | 240 | 1.12 |
| SHP-800-820-FSB1 | 820 | 96 | 125 | 2330 | 54 | 1.7 | ≤60 | 3.0 | 262 | 1.15 |
| SHP-800-900-FSB1 | 900 | 116 | 100 | 3470 | 60 | 1.5 | ≤50 | 2.6 | 288 | 1.37 |
| SHP-800-900-FSB2 | 900 | 96 | 150 | 4416 | 71 | 1.1 | ≤45 | 2.7 | 288 | 1.45 |
| SHP-800-950-FSB1 | 950 | 86 | 175 | 3663 | 67 | 1.2 | ≤50 | 2.9 | 304 | 1.31 |
| SHP-800-1000-FSB1 | 1000 | 76 | 225 | 2841 | 63 | 1.3 | ≤60 | 2.9 | 320 | 1.28 |
| SHP-800-1200-FSB1 | 1200 | 96 | 180 | 4627 | 74 | 1.1 | ≤50 | 2.5 | 384 | 1.67 |
| SHP-800-1200-FSB2 | 1200 | 116 | 125 | 3409 | 63 | 1.6 | ≤60 | 2.3 | 384 | 1.66 |
| SHP-800-1300-FSB1 | 1300 | 136 | 100 | 5012 | 60 | 1.5 | ≤50 | 2.1 | 416 | 1.87 |
| SHP-800-1300-FSB2 | 1300 | 86 | 225 | 3693 | 70 | 1.2 | ≤60 | 2.5 | 416 | 1.62 |
| SHP-800-1400-FSB1 | 1400 | 116 | 150 | 6870 | 82 | 1.0 | ≤45 | 2.1 | 448 | 2.06 |
| SHP-800-1600-FSB1 | 1600 | 96 | 230 | 4546 | 77 | 1.2 | ≤60 | 2.2 | 512 | 2.07 |
| SHP-800-1700-FSB1 | 1700 | 136 | 125 | 4830 | 60 | 1.5 | ≤60 | 1.9 | 544 | 2.28 |
| SHP-800-1800-FSB1 | 1800 | 116 | 180 | 6940 | 85 | 1.1 | ≤50 | 2.0 | 576 | 2.39 |
| SHP-800-2000-FSB1 | 2000 | 136 | 150 | 9814 | 92 | 1.0 | ≤45 | 1.7 | 640 | 2.84 |
| SHP-800-2400-FSB1 | 2400 | 116 | 230 | 6818 | 89 | 1.1 | ≤60 | 1.7 | 768 | 2.97 |
| SHP-800-2500-FSB1 | 2500 | 136 | 180 | 9639 | 95 | 1.0 | ≤50 | 1.6 | 800 | 3.32 |
| SHP-800-3500-FSB1 | 3500 | 136 | 230 | 9943 | 100 | 1.1 | ≤60 | 1.4 | 1120 | 4.06 |

特性参数

| 订货代码 | 容量 (μ F) | D (mm) | H (mm) | I _{peak} (A) | I _{Max} @45°C @10KHz (A) | ESR@1.0KHz (m Ω) | Ls (nH) | Rth (k/W) | Wn (Ws) | 重量 (Kg) |
|--|------------------|-----------|-----------|--------------------------|--------------------------------------|-----------------------------|------------|--------------|------------|------------|
| Un 1100VDC , Us 1650V , Ur 225V | | | | | | | | | | |
| SHP-1100-220-FSB1 | 220 | 76 | 95 | 1042 | 40 | 2.0 | ≤50 | 4.6 | 133 | 0.59 |
| SHP-1100-300-FSB2 | 300 | 86 | 95 | 1421 | 46 | 1.8 | ≤50 | 3.9 | 182 | 0.73 |
| SHP-1100-300-FSB1 | 300 | 76 | 120 | 1047 | 40 | 2.3 | ≤60 | 4.1 | 182 | 0.72 |
| SHP-1100-345-FSB1 | 345 | 76 | 145 | 2080 | 57 | 1.2 | ≤45 | 3.7 | 209 | 0.89 |
| SHP-1100-360-FSB1 | 360 | 96 | 100 | 1705 | 51 | 1.7 | ≤50 | 3.3 | 218 | 0.97 |
| SHP-1100-400-FSB1 | 400 | 86 | 120 | 1396 | 46 | 2.0 | ≤60 | 3.5 | 242 | 0.90 |
| SHP-1100-450-FSB1 | 450 | 76 | 175 | 2132 | 59 | 1.3 | ≤50 | 3.3 | 272 | 1.04 |
| SHP-1100-460-FSB1 | 460 | 86 | 145 | 2773 | 63 | 1.2 | ≤45 | 3.2 | 278 | 1.12 |
| SHP-1100-490-FSB1 | 490 | 96 | 125 | 1710 | 52 | 1.9 | ≤60 | 3.0 | 296 | 1.18 |
| SHP-1100-550-FSB1 | 550 | 96 | 150 | 3316 | 70 | 1.1 | ≤45 | 2.7 | 333 | 1.45 |
| SHP-1100-550-FSB2 | 550 | 116 | 100 | 2605 | 60 | 1.6 | ≤50 | 2.6 | 333 | 1.40 |
| SHP-1100-600-FSB0 | 600 | 86 | 175 | 2842 | 65 | 1.2 | ≤50 | 2.9 | 363 | 1.31 |
| SHP-1100-600-FSB2 | 600 | 76 | 225 | 2094 | 60 | 1.4 | ≤60 | 2.9 | 363 | 1.30 |
| SHP-1100-720-FSB1 | 720 | 96 | 180 | 3411 | 72 | 1.2 | ≤50 | 2.5 | 436 | 1.71 |
| SHP-1100-750-FSB1 | 750 | 116 | 125 | 2618 | 60 | 1.7 | ≤60 | 2.3 | 454 | 1.68 |
| SHP-1100-800-FSB1 | 800 | 136 | 100 | 3790 | 60 | 1.5 | ≤50 | 2.1 | 484 | 1.91 |
| SHP-1100-800-FSB0 | 800 | 86 | 225 | 2792 | 68 | 1.3 | ≤60 | 2.5 | 484 | 1.63 |
| SHP-1100-850-FSB1 | 850 | 116 | 150 | 5124 | 81 | 1.1 | ≤45 | 2.1 | 514 | 2.11 |
| SHP-1100-980-FSB1 | 980 | 96 | 230 | 3421 | 75 | 1.2 | ≤60 | 2.2 | 593 | 2.11 |
| SHP-1100-1050-FSB1 | 1050 | 136 | 125 | 3665 | 60 | 1.6 | ≤60 | 1.9 | 635 | 2.31 |
| SHP-1100-1050-FSB2 | 1050 | 116 | 180 | 4974 | 83 | 1.1 | ≤50 | 2.0 | 635 | 2.47 |
| SHP-1100-1200-FSB1 | 1200 | 136 | 150 | 7234 | 91 | 1.0 | ≤45 | 1.7 | 726 | 2.91 |
| SHP-1100-1400-FSB1 | 1400 | 116 | 230 | 4886 | 87 | 1.2 | ≤60 | 1.7 | 847 | 3.07 |
| SHP-1100-1500-FSB1 | 1500 | 136 | 180 | 7105 | 94 | 1.1 | ≤50 | 1.6 | 908 | 3.41 |
| SHP-1100-2100-FSB1 | 2100 | 136 | 230 | 7330 | 98 | 1.1 | ≤60 | 1.4 | 1271 | 4.17 |
| Un 1200VDC , Us 1800V , Ur 250V | | | | | | | | | | |
| SHP-1200-180-FSB1 | 180 | 76 | 95 | 952 | 40 | 2.1 | ≤50 | 4.6 | 130 | 0.58 |
| SHP-1200-230-FSB1 | 230 | 86 | 95 | 1216 | 45 | 1.9 | ≤50 | 3.9 | 166 | 0.74 |
| SHP-1200-250-FSB1 | 250 | 76 | 120 | 974 | 40 | 2.3 | ≤60 | 4.1 | 180 | 0.71 |
| SHP-1200-280-FSB1 | 280 | 76 | 145 | 1884 | 56 | 1.3 | ≤45 | 3.7 | 202 | 0.89 |
| SHP-1200-300-FSB1 | 300 | 96 | 100 | 1586 | 51 | 1.8 | ≤50 | 3.3 | 216 | 0.97 |
| SHP-1200-330-FSB1 | 330 | 86 | 120 | 1286 | 45 | 2.1 | ≤60 | 3.5 | 238 | 0.89 |
| SHP-1200-360-FSB1 | 360 | 76 | 175 | 1904 | 58 | 1.3 | ≤50 | 3.3 | 259 | 1.04 |
| SHP-1200-380-FSB1 | 380 | 86 | 145 | 2557 | 63 | 1.2 | ≤45 | 3.2 | 274 | 1.11 |
| SHP-1200-400-FSB1 | 400 | 96 | 125 | 1558 | 51 | 1.9 | ≤60 | 3.0 | 288 | 1.16 |
| SHP-1200-450-FSB1 | 450 | 116 | 100 | 2379 | 60 | 1.6 | ≤50 | 2.6 | 324 | 1.39 |
| SHP-1200-480-FSB1 | 480 | 86 | 175 | 2538 | 65 | 1.2 | ≤50 | 2.9 | 346 | 1.31 |
| SHP-1200-500-FSB1 | 500 | 76 | 225 | 1948 | 60 | 1.5 | ≤60 | 2.9 | 360 | 1.29 |
| SHP-1200-580-FSB1 | 580 | 96 | 180 | 3067 | 71 | 1.2 | ≤50 | 2.5 | 418 | 1.69 |
| SHP-1200-600-FSB1 | 600 | 116 | 125 | 2338 | 60 | 1.7 | ≤60 | 2.3 | 432 | 1.68 |
| SHP-1200-650-FSB1 | 650 | 136 | 100 | 3437 | 60 | 1.5 | ≤50 | 2.1 | 468 | 1.90 |
| SHP-1200-680-FSB0 | 680 | 86 | 225 | 2649 | 67 | 1.3 | ≤60 | 2.5 | 490 | 1.61 |
| SHP-1200-700-FSB2 | 700 | 116 | 150 | 4711 | 80 | 1.1 | ≤45 | 2.1 | 504 | 2.09 |
| SHP-1200-780-FSB1 | 780 | 96 | 230 | 3039 | 74 | 1.3 | ≤60 | 2.2 | 562 | 2.10 |
| SHP-1200-880-FSB1 | 880 | 136 | 125 | 3429 | 60 | 1.6 | ≤60 | 1.9 | 634 | 2.29 |
| SHP-1200-880-FSB2 | 880 | 116 | 180 | 4653 | 83 | 1.1 | ≤50 | 2.0 | 634 | 2.44 |
| SHP-1200-1000-FSB1 | 1000 | 136 | 150 | 6730 | 91 | 1.0 | ≤45 | 1.7 | 720 | 2.89 |
| SHP-1200-1200-FSB1 | 1200 | 116 | 230 | 4675 | 86 | 1.2 | ≤60 | 1.7 | 864 | 3.02 |
| SHP-1200-1300-FSB1 | 1300 | 136 | 180 | 6874 | 94 | 1.1 | ≤50 | 1.6 | 936 | 3.34 |
| SHP-1200-1700-FSB1 | 1700 | 136 | 230 | 6624 | 98 | 1.1 | ≤60 | 1.4 | 1224 | 4.17 |