

**产品特点**

介质：金属化聚丙烯薄膜  
 外壳：铝外壳封装  
 内部灌封：树脂填充 (UL94 V-0)

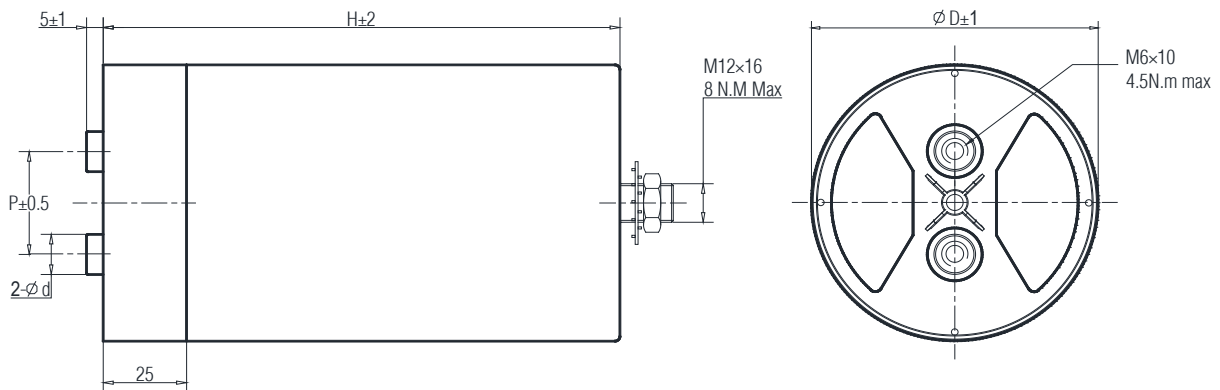
**电气特性**

工作温度：- 40 至 + 85 °C  
 容量范围：18 至 2700µF  
 额定电压：900 至 4000 VDC  
 容量偏差：± 5% , ± 10%  
 损耗因素： $\leq 3 \times 10^{-3}$  @ 100 Hz, 20±5°C  
 预期寿命：100,000 小时 @ Un, 70 °C (热点温度)  
 极间耐压：1.5Un (DC) @ 10s, 20±5°C  
 极壳耐压：(1.5Un+1000)VAC, 最小 3000VAC (10s,50Hz)  
 (IRxCn) 30000s (不超过 30GΩ),  
 绝缘电阻：100VDC (20±5°C), 1 分钟



**应用**

逆变器 电机驱动 开关电源



安装孔距与安装螺口外径尺寸

D= 76, 86mm	D= 96mm	D= 116mm	D= 136mm
d= 12.5mm	d= 12.5mm	d= 14mm	d= 14mm
P= 32mm	P= 45mm	P= 50mm	P= 50mm

## 特性参数

订货代码	容量 ( $\mu$ F)	D (mm)	H (mm)	I <sub>peak</sub> (A)	I <sub>max</sub> @45°C @10KHz (A)	ESR(m $\Omega$ ) @1.0KHz	Ls (nH)	Rth (k/W)	Wn (Ws)	重量 (Kg)
<b>Un 900VDC , Us 1350V , Ur 200V</b>										
SHP-900-280-FS	280	76	95	1172	41	1.9	≤50	4.6	113	0.59
SHP-900-380-FSS	380	86	95	1591	47	1.8	≤50	3.9	154	0.73
SHP-900-390-FS	390	76	120	1203	41	2.1	≤60	4.1	158	0.71
SHP-900-450-FS	450	76	145	2397	58	1.2	≤45	3.7	182	0.89
SHP-900-520-FS	520	86	120	1604	47	1.9	≤60	3.5	211	0.89
SHP-900-570-FS	570	76	175	2386	60	1.3	≤50	3.3	231	1.04
SHP-900-600-FS	600	86	145	3197	64	1.1	≤45	3.2	243	1.12
SHP-900-630-FS	630	96	125	1943	53	1.8	≤60	3.0	255	1.16
SHP-900-700-FS	700	116	100	2930	60	1.6	≤50	2.6	284	1.40
SHP-900-750-FS	750	86	175	3140	66	1.2	≤50	2.9	304	1.31
SHP-900-780-FS	780	76	225	2406	62	1.4	≤60	2.9	316	1.30
SHP-900-850-FS	850	96	150	4529	70	1.1	≤45	2.7	344	1.41
SHP-900-1000-FS2	1000	96	180	4186	73	1.1	≤50	2.5	405	1.66
SHP-900-1000-FS1	1000	136	100	4186	60	1.5	≤50	2.1	405	1.92
SHP-900-1000-FS	1000	116	125	3084	60	1.6	≤60	2.3	405	1.67
SHP-900-1050-FS	1050	86	225	3239	69	1.3	≤60	2.5	425	1.62
SHP-900-1050-FS1	1050	116	150	5594	81	1.1	≤45	2.1	425	2.12
SHP-900-1200-FS1	1200	96	230	3701	75	1.2	≤60	2.2	486	2.11
SHP-900-1300-FS	1300	136	125	4010	60	1.6	≤60	1.9	527	2.33
SHP-900-1450-FS	1450	116	180	6070	84	1.1	≤50	2.0	587	2.43
SHP-900-1500-FS	1500	136	150	7992	91	1.0	≤45	1.7	608	2.93
SHP-900-1900-FS	1900	136	180	7954	94	1.0	≤50	1.6	770	3.41
SHP-900-2000-FS	2000	116	230	6169	88	1.1	≤60	1.7	810	2.98
SHP-900-2700-FS	2700	136	230	8328	99	1.1	≤60	1.4	1094	4.17
<b>Un 1100VDC , Us 1650V , Ur 250V</b>										
SHP-1100-180-FS	180	76	95	952	40	2.1	≤50	4.6	109	0.58
SHP-1100-230-FS	230	86	95	1216	45	1.9	≤50	3.9	139	0.74
SHP-1100-250-FS	250	76	120	974	40	2.3	≤60	4.1	151	0.71
SHP-1100-280-FS	280	76	145	1884	56	1.3	≤45	3.7	169	0.89
SHP-1100-300-FS	300	96	100	1586	51	1.8	≤50	3.3	182	0.96
SHP-1100-330-FS	330	86	120	1286	45	2.1	≤60	3.5	200	0.89
SHP-1100-350-FS	350	76	175	1851	58	1.4	≤50	3.3	212	1.05
SHP-1100-400-FS1	400	96	125	1558	51	1.9	≤60	3.0	242	1.16
SHP-1100-400-FS	400	86	145	2692	63	1.2	≤45	3.2	242	1.12
SHP-1100-420-FSL	420	86	136	1413	40	2.1	≤60	3.3	254	0.98
SHP-1100-450-FS	450	116	100	2379	60	1.6	≤50	2.6	272	1.39
SHP-1100-460-FS	460	96	150	3096	69	1.1	≤45	2.7	278	1.45
SHP-1100-480-FS	480	76	225	1870	59	1.5	≤60	2.9	290	1.30
SHP-1100-500-FS	500	86	175	2644	65	1.2	≤50	2.9	303	1.29
SHP-1100-600-FS	600	96	180	3173	71	1.2	≤50	2.5	363	1.69
SHP-1100-630-FS	630	136	100	3331	60	1.5	≤50	2.1	381	1.91
SHP-1100-650-FS	650	116	125	2533	60	1.7	≤60	2.3	393	1.65
SHP-1100-680-FS	680	86	225	2649	67	1.3	≤60	2.5	411	1.61
SHP-1100-730-FS	730	116	150	4913	81	1.1	≤45	2.1	442	2.07
SHP-1100-800-FS	800	96	230	3117	74	1.3	≤60	2.2	484	2.08
SHP-1100-900-FS	900	136	125	3507	60	1.6	≤60	1.9	545	2.28
SHP-1100-920-FS	920	116	180	4865	83	1.1	≤50	2.0	557	2.42
SHP-1100-1000-FS	1000	136	150	6730	91	1.0	≤45	1.7	605	2.89
SHP-1100-1200-FS	1200	136	180	6345	93	1.1	≤50	1.6	726	3.41
SHP-1100-1250-FS	1250	116	230	4870	87	1.2	≤60	1.7	756	2.98
SHP-1100-1700-FS	1700	136	230	6624	98	1.1	≤60	1.4	1029	4.17

## 特性参数

订货代码	容量 ( $\mu$ F)	D (mm)	H (mm)	I <sub>peak</sub> (A)	I <sub>Max</sub> @45°C @10KHz (A)	ESR(m $\Omega$ ) @1.0KHz	Ls (nH)	Rth (k/W)	Wn (Ws)	重量 (Kg)
<b>Un 1200VDC , Us 1800V , Ur 275V</b>										
SHP-1200-150-FS	150	76	95	876	39	2.1	≤50	4.6	108	0.58
SHP-1200-200-FS	200	86	95	1168	45	1.9	≤50	3.9	144	0.73
SHP-1200-220-FS	220	76	120	946	39	2.4	≤60	4.1	158	0.70
SHP-1200-240-FS	240	76	145	1783	56	1.3	≤45	3.7	173	0.88
SHP-1200-250-FS	250	86	125	2271	61	1.2	≤40	3.4	180	0.99
SHP-1200-270-FS	270	86	120	1162	45	2.1	≤60	3.5	194	0.89
SHP-1200-300-FS	300	76	175	1752	57	1.4	≤50	3.3	216	1.04
SHP-1200-310-FS	310	86	145	2304	63	1.2	≤45	3.2	223	1.12
SHP-1200-380-FS	380	116	100	2219	60	1.6	≤50	2.6	274	1.38
SHP-1200-380-FS1	380	96	150	2824	69	1.2	≤45	2.7	274	1.44
SHP-1200-400-FS	400	76	225	1721	59	1.5	≤60	2.9	288	1.30
SHP-1200-420-FS	420	86	175	2452	64	1.3	≤50	2.9	302	1.31
SHP-1200-470-FS	470	86	225	2022	65	1.4	≤60	2.5	338	1.66
SHP-1200-500-FS1	500	116	125	2151	60	1.8	≤60	2.3	360	1.68
SHP-1200-500-FS2	500	96	180	2919	71	1.2	≤50	2.5	360	1.67
SHP-1200-530-FS	530	136	100	3094	60	1.5	≤50	2.1	382	1.90
SHP-1200-550-FS	550	116	150	4087	80	1.1	≤45	2.1	396	2.10
SHP-1200-560-FS	560	86	225	2409	66	1.4	≤60	2.5	403	1.61
SHP-1200-680-FS1	680	96	230	2925	74	1.3	≤60	2.2	490	2.09
SHP-1200-680-FS	680	116	180	3970	82	1.1	≤50	2.0	490	2.48
SHP-1200-730-FS	730	136	125	3140	60	1.6	≤60	1.9	526	2.28
SHP-1200-850-FS	850	136	150	6316	91	1.0	≤45	1.7	612	2.86
SHP-1200-950-FS	950	136	180	5547	93	1.1	≤50	1.6	684	3.44
SHP-1200-1000-FS	1000	116	230	4302	86	1.2	≤60	1.7	720	3.00
SHP-1200-1200-FS	1200	136	230	5162	96	1.1	≤60	1.4	864	4.24
<b>Un 2000VDC , Us 3000V , Ur 450V</b>										
SHP-2000-55-FS	55	76	95	533	35	2.7	≤50	4.6	110	0.58
SHP-2000-75-FS1	75	86	95	727	41	2.3	≤50	3.9	150	0.73
SHP-2000-75-FS	75	76	120	536	34	3.2	≤60	4.1	150	0.70
SHP-2000-85-FS	85	76	145	1049	51	1.5	≤45	3.7	170	0.89
SHP-2000-90-FS	90	96	100	872	46	2.2	≤50	3.3	180	0.96
SHP-2000-100-FS	100	86	120	714	40	2.7	≤60	3.5	200	0.88
SHP-2000-110-FS	110	76	175	1066	52	1.7	≤50	3.3	220	1.04
SHP-2000-110-FS1	110	86	145	1357	58	1.4	≤45	3.2	220	1.12
SHP-2000-125-FS	125	96	125	893	45	2.4	≤60	3.0	250	1.15
SHP-2000-140-FS	140	116	100	1357	56	1.9	≤50	2.6	280	1.38
SHP-2000-140-FS1	140	96	150	1727	65	1.3	≤45	2.7	280	1.44
SHP-2000-150-FS	150	86	175	1454	60	1.5	≤50	2.9	300	1.29
SHP-2000-150-FS1	150	76	225	1071	53	1.9	≤60	2.9	300	1.29
SHP-2000-190-FS	190	116	125	1357	56	2.0	≤60	2.3	380	1.66
SHP-2000-190-FS1	190	96	180	1842	67	1.4	≤50	2.5	380	1.65
SHP-2000-200-FS1	200	136	100	1939	60	1.7	≤50	2.1	400	1.89
SHP-2000-200-FS	200	86	225	1429	60	1.7	≤60	2.5	400	1.61
SHP-2000-220-FS	220	116	150	2714	77	1.2	≤45	2.1	440	2.06
SHP-2000-250-FS	250	96	230	1786	68	1.5	≤60	2.2	500	2.06
SHP-2000-275-FS	275	136	125	1964	60	1.8	≤60	1.9	550	2.26
SHP-2000-280-FS	280	116	180	2714	79	1.2	≤50	2.0	560	2.39
SHP-2000-310-FS	310	136	150	3825	88	1.1	≤45	1.7	620	2.86
SHP-2000-380-FS	380	116	230	2714	81	1.3	≤60	1.7	760	2.97
SHP-2000-400-FS	400	136	180	3878	90	1.1	≤50	1.6	800	3.31
SHP-2000-540-FS	540	136	230	3857	93	1.2	≤60	1.4	1080	4.09

## 特性参数

订货代码	容量 ( $\mu\text{F}$ )	D (mm)	H (mm)	I <sub>peak</sub> (A)	I <sub>Max</sub> @45°C @10KHz (A)	ESR(m $\Omega$ ) @1.0KHz	Ls (nH)	R <sub>th</sub> (k/W)	Wn (Ws)	重量 (Kg)
<b>Un 3000VDC , Us 4500V , Ur 700V</b>										
SHP-3000-35-FS	35	76	145	667	33	3.8	≤45	3.7	158	0.88
SHP-3000-39-FS	39	76	175	584	31	4.6	≤50	3.3	176	1.05
SHP-3000-47-FS	47	86	145	896	37	3.4	≤45	3.2	212	1.11
SHP-3000-60-FS2	60	96	150	1144	42	3.1	≤45	2.7	270	1.43
SHP-3000-60-FS1	60	86	175	899	38	3.7	≤50	2.9	270	1.30
SHP-3000-60-FS	60	76	225	662	32	5.0	≤60	2.9	270	1.29
SHP-3000-75-FS	75	96	180	1124	42	3.4	≤50	2.5	338	1.65
SHP-3000-82-FS	82	86	225	905	38	4.2	≤60	2.5	369	1.61
SHP-3000-92-FS	92	116	150	1754	51	2.7	≤45	2.1	414	2.05
SHP-3000-100-FS1	100	96	230	1104	43	3.8	≤60	2.2	450	2.08
SHP-3000-100-FS	100	116	180	1498	50	3.0	≤50	2.0	450	2.44
SHP-3000-120-FS	120	116	180	1798	52	2.8	≤50	2.0	540	2.37
SHP-3000-130-FS	130	136	150	2479	59	2.5	≤45	1.7	585	2.84
SHP-3000-150-FS	150	116	230	1656	52	3.2	≤60	1.7	675	3.00
SHP-3000-160-FS	160	136	180	2397	59	2.6	≤50	1.6	720	3.34
SHP-3000-180-FS	180	136	230	1987	59	3.0	≤60	1.4	810	4.24
<b>Un 3600VDC , Us 5400V , Ur 800V</b>										
SHP-3600-22-FS	22	76	145	543	31	4.2	≤45	3.7	143	0.87
SHP-3600-28-FS	28	76	175	543	31	4.8	≤50	3.3	181	1.02
SHP-3600-30-FS	30	86	145	740	36	3.6	≤45	3.2	194	1.11
SHP-3600-36-FS	36	96	150	888	40	3.4	≤45	2.7	233	1.43
SHP-3600-38-FS	38	86	175	737	36	4.1	≤50	2.9	246	1.30
SHP-3600-38-FS1	38	76	225	543	30	5.7	≤60	2.9	246	1.27
SHP-3600-46-FS	46	96	180	892	40	3.7	≤50	2.5	298	1.66
SHP-3600-50-FS	50	86	225	714	35	4.8	≤60	2.5	324	1.60
SHP-3600-55-FS	55	116	150	1357	49	2.9	≤45	2.1	356	2.05
SHP-3600-62-FS	62	96	230	886	40	4.3	≤60	2.2	402	2.08
SHP-3600-70-FS	70	116	180	1357	49	3.1	≤50	2.0	454	2.39
SHP-3600-75-FS	75	136	150	1851	57	2.7	≤45	1.7	486	2.87
SHP-3600-88-FS	88	116	230	1257	49	3.6	≤60	1.7	570	3.01
SHP-3600-100-FS	100	136	180	1939	58	2.8	≤50	1.6	648	3.29
SHP-3600-125-FS	125	136	230	1786	58	3.1	≤60	1.4	810	4.16
<b>Un 4000VDC , Us 6000V , Ur 900V</b>										
SHP-4000-18-FS	18	76	145	475	30	4.6	≤45	3.7	144	0.87
SHP-4000-23-FS1	23	76	175	477	29	5.2	≤50	3.3	184	1.02
SHP-4000-23-FS	23	86	145	607	34	4.0	≤45	3.2	184	1.10
SHP-4000-30-FS2	30	96	150	791	39	3.5	≤45	2.7	240	1.41
SHP-4000-30-FS1	30	86	175	622	34	4.4	≤50	2.9	240	1.28
SHP-4000-30-FS	30	76	225	458	29	6.4	≤60	2.9	240	1.28
SHP-4000-38-FS	38	96	180	787	39	3.9	≤50	2.5	304	1.64
SHP-4000-40-FS	40	86	225	611	34	5.3	≤60	2.5	320	1.60
SHP-4000-45-FS	45	116	150	1187	48	3.0	≤45	2.1	360	2.04
SHP-4000-50-FS	50	96	230	763	39	4.6	≤60	2.2	400	2.05
SHP-4000-55-FS	55	116	180	1140	48	3.3	≤50	2.0	440	2.40
SHP-4000-65-FS	65	136	150	1714	56	2.7	≤45	1.7	520	2.81
SHP-4000-70-FS	70	116	230	1069	47	3.9	≤60	1.7	560	3.02
SHP-4000-82-FS	82	136	180	1699	57	2.9	≤50	1.6	656	3.28
SHP-4000-100-FS	100	136	230	1527	56	3.3	≤60	1.4	800	4.16