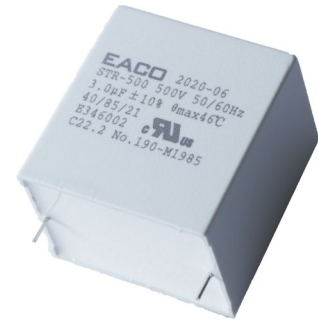


### 产品结构

介质：金属化聚丙烯膜结构  
 外壳：塑料外壳封装，  
 内部灌封：树脂填充（UL94 V-0）

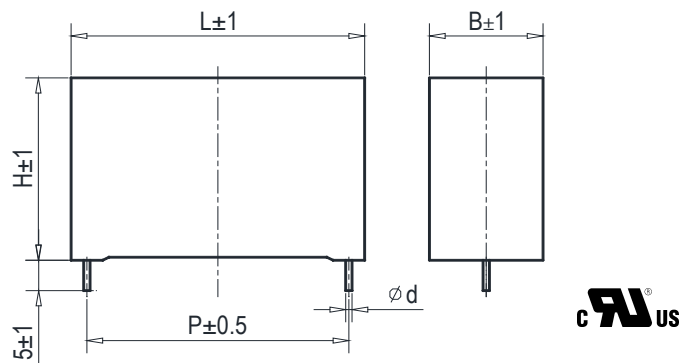
### 电气特性

工作温度：-40 至 +85 °C  
 容量范围：0.10 至 16μF  
 额定电压：250 至 500 VAC  
 容量偏差：±5% , ±10%  
 损耗因素： $\leq 14 \times 10^{-4}$  @ 1KHz, 20±5°C  
 预期寿命：100,000 小时 @  $U_{rms}$ , 70 °C(热点温度)  
 极间耐压：1.5 $U_{rms}$  (AC) @ 50Hz, 10s, 20±5°C  
 极壳耐压：(1.5 $U_{peak}$ +1000)VAC, 最小 3000VAC (10s,50Hz)  
 (IR×Cn) 30000s (不超过 30GΩ),  
 绝缘电阻：100VDC (20±5°C) , 1 分钟



安规认证 UL810 结构认证，证书号： E346002

应用 AC 滤波



### 特性参数

订货代码	容量 (μF)	尺寸 (mm)					Du/dt (v/μs)
		L	B	H	P	d	
<b>Urms 250VAC/50-60Hz , Upeak 353V</b>							
STR-250-0.33-22.5	0.33	26.5	7.0	16.0	22.5	0.8	56
STR-250-0.39-22.5	0.39	26.5	7.0	16.0	22.5	0.8	56
STR-250-0.47-22.5	0.47	26.5	7.0	16.0	22.5	0.8	56
STR-250-0.56-22.5	0.56	26.5	8.5	17.0	22.5	0.8	56
STR-250-0.68-22.5	0.68	26.5	8.5	17.0	22.5	0.8	56
STR-250-0.68-27.5	0.68	31.0	9.0	18.0	27.5	0.8	45
STR-250-0.82-22.5	0.82	26.5	10.0	18.5	22.5	0.8	56
STR-250-0.82-27.5	0.82	31.0	9.0	18.0	27.5	0.8	45
STR-250-1.0-22.5	1.0	26.5	10.0	18.5	22.5	0.8	56
STR-250-1.0-27.5	1.0	31.0	9.0	18.0	27.5	0.8	45
STR-250-1.2-22.5	1.2	26.5	11.0	20.0	22.5	0.8	56
STR-250-1.2-27.5	1.2	31.0	9.0	18.0	27.5	0.8	45
STR-250-1.5-22.5	1.5	26.5	12.0	22.0	22.5	0.8	56

## 特性参数

订货代码	容量 ( $\mu\text{F}$ )	尺寸 (mm)					Du/dt ( $\text{V}/\mu\text{s}$ )
		L	B	H	P	d	
<b>Urms 400VAC/50-60Hz, Upeak 565V</b>							
STR-400-2.2-37.5	2.2	42.5	17.0	28.0	37.5	1.0	60
STR-400-2.5-37.5	2.5	42.5	17.0	28.0	37.5	1.0	60
STR-400-3.0-37.5	3.0	42.5	22.0	30.0	37.5	1.0	60
STR-400-3.3-37.5	3.3	42.5	22.0	30.0	37.5	1.0	60
STR-400-3.5-37.5	3.5	42.5	22.0	30.0	37.5	1.0	60
STR-400-5.5-37.5	5.5	42.5	28.0	37.0	37.5	1.0	60
STR-400-6.0-37.5	6.0	42.5	28.0	37.0	37.5	1.0	60
STR-400-6.3-37.5	6.3	42.5	28.0	37.0	37.5	1.0	60
STR-400-6.8-37.5	6.8	42.5	33.0	45.0	37.5	1.0	60
STR-400-7.0-37.5	7.0	42.5	33.0	45.0	37.5	1.0	60
STR-400-8.0-37.5	8.0	42.5	33.0	45.0	37.5	1.0	60
STR-400-8.5-37.5	8.5	42.5	33.0	45.0	37.5	1.0	60
STR-400-10-52.5	10	57.5	30.0	45.0	52.5	1.2	40
STR-400-12-52.5	12	57.5	30.0	45.0	52.5	1.2	40
STR-400-15-52.5	15	57.5	35.0	50.0	52.5	1.2	40
STR-400-16-52.5	16	57.5	35.0	50.0	52.5	1.2	40
<b>Urms 500VAC/50-60Hz, Upeak 707V</b>							
STR-500-0.10-22.5	0.10	26.5	8.5	17.0	22.5	0.8	208
STR-500-0.15-22.5	0.15	26.5	10.0	18.5	22.5	0.8	208
STR-500-0.18-22.5	0.18	26.5	10.0	18.5	22.5	0.8	208
STR-500-0.18-27.5	0.18	31.0	9.0	18.0	27.5	0.8	166
STR-500-0.22-22.5	0.22	26.5	11.0	20.0	22.5	0.8	208
STR-500-0.22-27.5	0.22	31.0	11.0	20.0	27.5	0.8	166
STR-500-0.27-22.5	0.27	26.5	12.0	22.0	22.5	0.8	208
STR-500-0.27-27.5	0.27	31.0	11.0	20.0	27.5	0.8	166
STR-500-0.33-27.5	0.33	31.0	13.0	22.0	27.5	0.8	166
STR-500-0.39-27.5	0.39	31.0	13.0	22.0	27.5	0.8	166
STR-500-0.47-27.5	0.47	31.0	15.0	24.5	27.5	0.8	166
STR-500-0.56-27.5	0.56	31.0	15.0	24.5	27.5	0.8	166
STR-500-0.68-27.5	0.68	31.0	17.0	28.0	27.5	0.8	166
STR-500-0.68-37.5	0.68	42.5	15.0	26.0	37.5	1.0	111
STR-500-0.75-27.5	0.75	31.0	17.0	28.0	27.5	0.8	166
STR-500-0.75-37.5	0.75	42.5	15.0	26.0	37.5	1.0	111
STR-500-0.82-27.5	0.82	31.0	18.0	33.0	27.5	0.8	166
STR-500-0.82-37.5	0.82	42.5	15.0	26.0	37.5	1.0	111
STR-500-1.0-27.5	1.0	31.0	18.0	33.0	27.5	0.8	166
STR-500-1.0-37.5	1.0	42.5	17.0	28.0	37.5	1.0	111
STR-500-1.2-37.5	1.2	42.5	22.0	30.0	37.5	1.0	111
STR-500-1.5-37.5	1.5	42.5	22.0	30.0	37.5	1.0	111
STR-500-1.8-37.5	1.8	42.5	28.0	37.0	37.5	1.0	111
STR-500-2.0-37.5	2.0	42.5	28.0	37.0	37.5	1.0	111
STR-500-2.2-37.5	2.2	42.5	28.0	37.0	37.5	1.0	111
STR-500-2.5-37.5	2.5	42.5	28.0	37.0	37.5	1.0	111
STR-500-2.7-37.5	2.7	42.5	28.0	37.0	37.5	1.0	111
STR-500-3.0-37.5	3.0	42.5	33.0	45.0	37.5	1.0	111
STR-500-3.3-37.5	3.3	42.5	33.0	45.0	37.5	1.0	111
STR-500-4.0-52.5	4.0	57.5	30.0	45.0	52.5	1.2	74
STR-500-4.5-52.5	4.5	57.5	30.0	45.0	52.5	1.2	74
STR-500-5.0-52.5	5.0	57.5	30.0	45.0	52.5	1.2	74
STR-500-6.0-52.5	6.0	57.5	35.0	50.0	52.5	1.2	74
STR-500-7.0-52.5	7.0	57.5	35.0	50.0	52.5	1.2	74